

LiFePO4 1x18650 1500mAh 6.4V



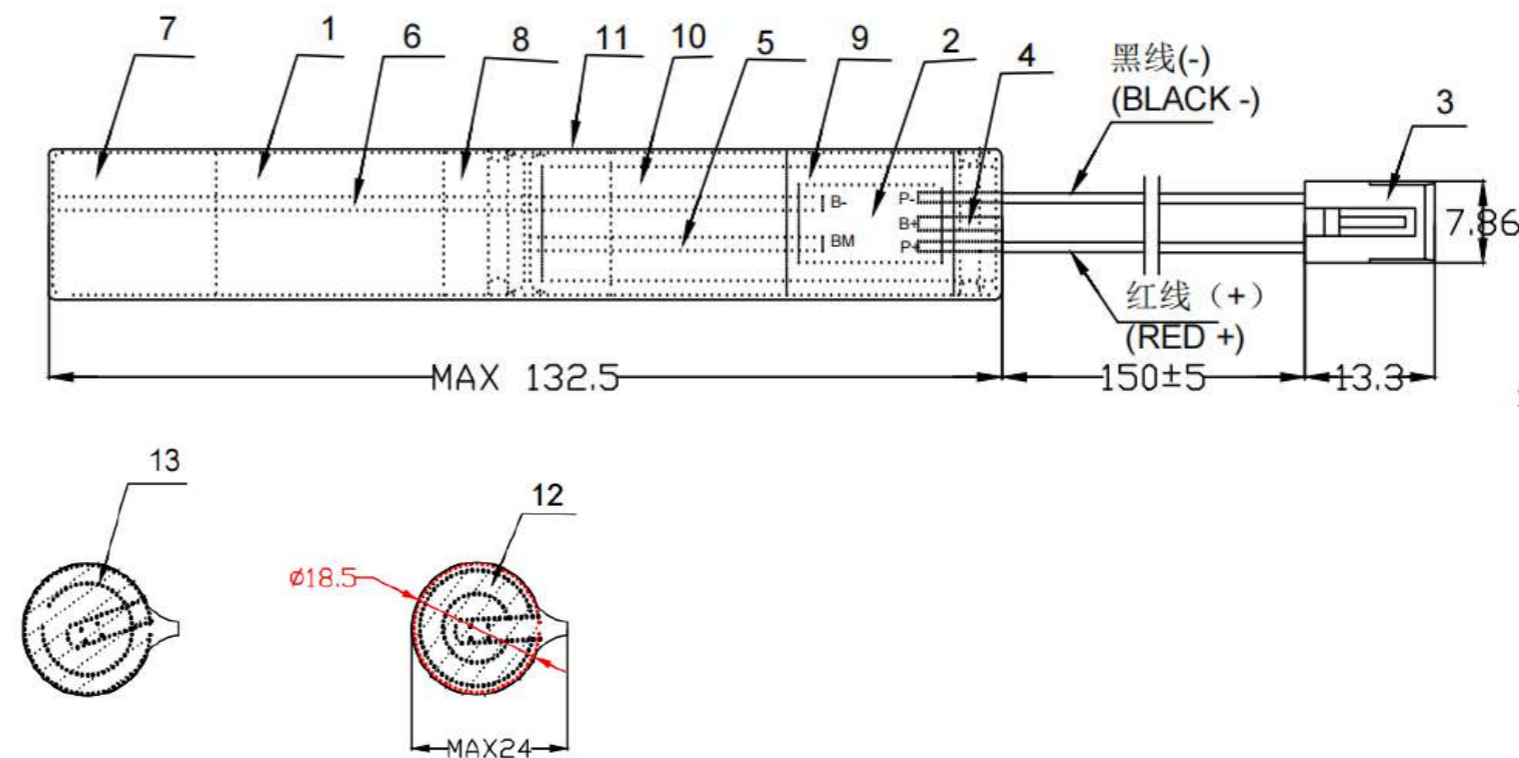
| | | | | | | |
|-------------|--|------------------|-------------|---|--|------------------|
| 13 | 绝缘垫 (Insulating Pad) | Ø17*0.2 | 2 | 青裸纸 (Barley Paper0) | 广州高胜电子科技有限公司 GODSON TECHNOLOGY CO., LTD 6.4V 18650-1500mAh 条型组合图-正向插头 6.4V 18650-1500mAh STICK TYPE -Forward Connector | |
| 12 | 面圈 (Insulating Pad) | Ø17*0.2 | 2 | 白色不干胶 (White Adhesive Sticker) | | |
| 11 | PVC外套 (Shrink Sleeve) | 140*32*0.1 | 1 | 蓝色 (Blue) | | |
| 10 | 绝缘纸 (Insulating Paper) | 67*10*0.2 | 1 | 青裸纸 (Barley Paper0) | | |
| 9 | 高温绝缘胶纸 (High Temperature Insulating Adhesive Paper) | 50*20*0.05 | 1 | 茶色 (Dark Brown) | | |
| 8 | | 55*30*0.05 | 1 | | | |
| 7 | | 25*20*0.05 | 1 | | | |
| 6 | 连接片 (Connect Tab) | 103*3*0.1 | 1 | 镍片, 套热缩管 (Nickle Tab with Heat Shrink Tube) | | |
| 5 | | 55*3*0.1 | 1 | | | |
| 4 | | 27*3*0.1 | 1 | | | |
| 3 | 插头 (Connector) | JST-VH-2P | 1 | 正向插头 (Forward Connector) | | 绘制 (DREW) |
| 2 | 电池保护板 (Cell protection board) | 1808-XLCD-D010-A | 1 | R5460N213AD+2个 3205(B+IB-IBM加钢片) | | 审核 (CHECK) |
| 1 | 单体电池 (Cell) | 18650-1500mAh | 2 | LiFePO4 | | 批准 (APPROVED) |
| 序号 (NO.) | 材料名称 (Name) | 规格 (Size) | 数量 (Qty) | 备注 (Note) | 文件编号: (DOC NO.) | 页码: (Page) |

- Features:**
- Long Cycle Life
 - Good performance at high temperature
 - High charge and discharge efficiency
 - High cost-effective
 - Good safety

Cell Certificate:
IEC 62133-2:2017

- 注(NOTE):
- 1、红线=170mm, 黑线=170mm;
线规: UL1015 AWG 18#;
Red wire=170mm, Black wire=170mm;
Wire Model:UL 1015 AWG 18#;
 - 2、与保护板相连的连接片需套黑色热缩管;
The Connect Tab with The Cell Protecting
Board should be wrapped by heat-shrinking
insulating tube;
 - 3、单位: mm
Unit:mm

Dimensions



Cycle Life:
2000 times

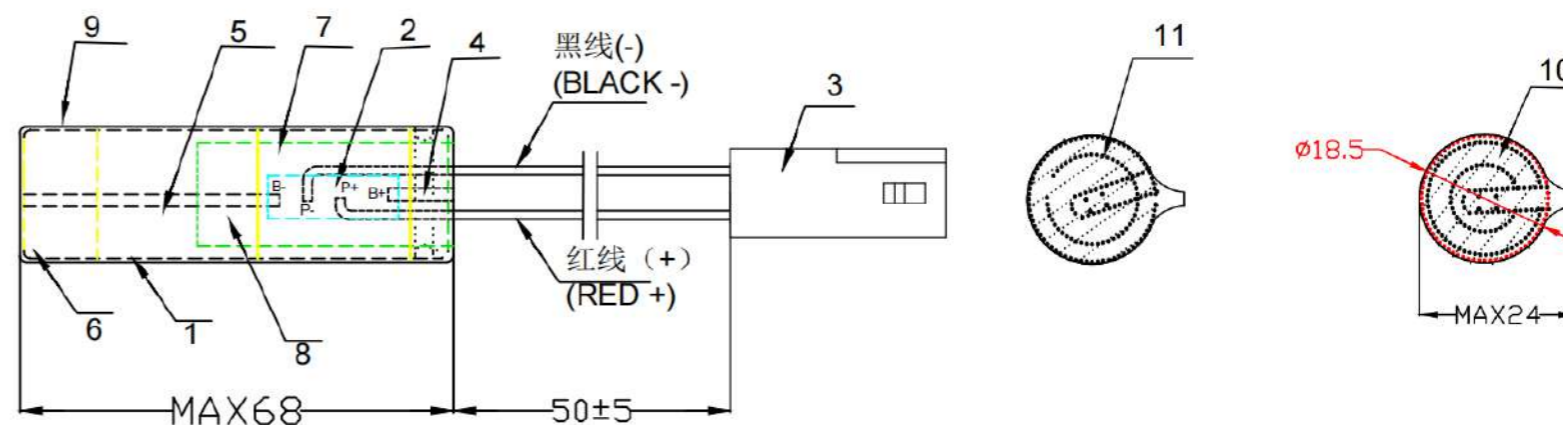
LiFePO4

LiFePO4 1x18650 1600mAh 3.2V



| | | | | | |
|-------------|--|----------------------------------|-------------|--|--|
| 11 | 绝缘垫 (Insulating Pad) | Ø17.5*0.2 | 2 | 青稞纸 (Barley Paper0) | 广州高胜电子科技有限公司 GODSON TECHNOLOGY CO., LTD |
| 10 | 面圈 (Insulating Pad) | Ø17.5*0.2 | 1 | 白色不干胶 (White Adhesive Sticker) | |
| 9 | PVC外套 (Shrink Sleeve) | 73*32*0.1 | 2 | 白色 (White) | |
| 8 | 绝缘纸 (Insulating Paper) | 55*10*0.2 | 1 | 青稞纸 (Barley Paper0) | |
| 7 | 高温绝缘胶纸 (High Temperature Insulating Adhesive Paper) | 50*20*0.05 | 1 | 茶色 (Dark Brown) | 3.2V 18650-1600mAh 条型组合图 (3.2V 18650-1600mAh STICK TYPE) |
| 6 | | 25*20*0.05 | | | |
| 5 | 连接片 (Connect Tab) | 48*3*0.1 | 1 | 镍片, 套热缩管 (Nickle Tab with Heat Shrink Tube) | 绘制 (DREW) 审核 (CHECK) 批准 (APPROVED) |
| 4 | | 27*3*0.1 | 1 | | |
| 3 | 插头 (Connector) | 5500-2P | 1 | | 文件编号: (DOC NO.) |
| 2 | 电池保护板 (Cell protection board) | KH-MP3-2542-A1 (25*4.1*0.6mm) | 1 | HY2112-EB+2个 8205A(B+1B-加镍片) | 修改号: (MOD NO.) |
| 1 | 单体电池 (Cell) | 18650-1600mAh | 1 | LiFePO4 | 页码: (Page) |
| 序号 (NO.) | 材料名称 (Name) | 规格 (Size) | 数量 (Qty) | 备注 (Note) | |

Dimensions



Features:

- Long Cycle Life
- Good performance at high temperature-
- High charge and discharge efficiency
- High cost-effective
- Good safety

Cell Certificate:

IEC 62133-2:2017
IEC 62620: 2014

注(NOTE):

- 1、红线=80mm,黑线=85mm;
线规: UL1007 AWG 18#;
Red wire=80mm,Black wire=85mm;
Wire Model:UL 1007 AWG 18#;
- 2、与保护板相连的连接片需套黑色热缩管;
The Connect Tab with the Cell Protecting Board should be wrapped by heat-shrinking insulating tube;



Cycle Life:
2000 times

LiFePO4

LiFePO4 2x18650 1600mAh 6.4V



6.4V-1.6Ah, 2x18650 Cell
High Temp Li-FePO4
Max Cont Case Temp 70°C
Red (+) Black (-)

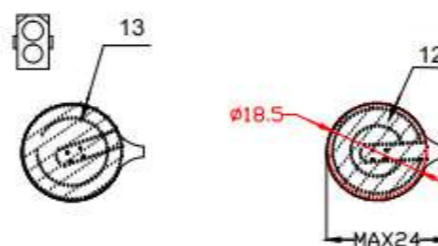
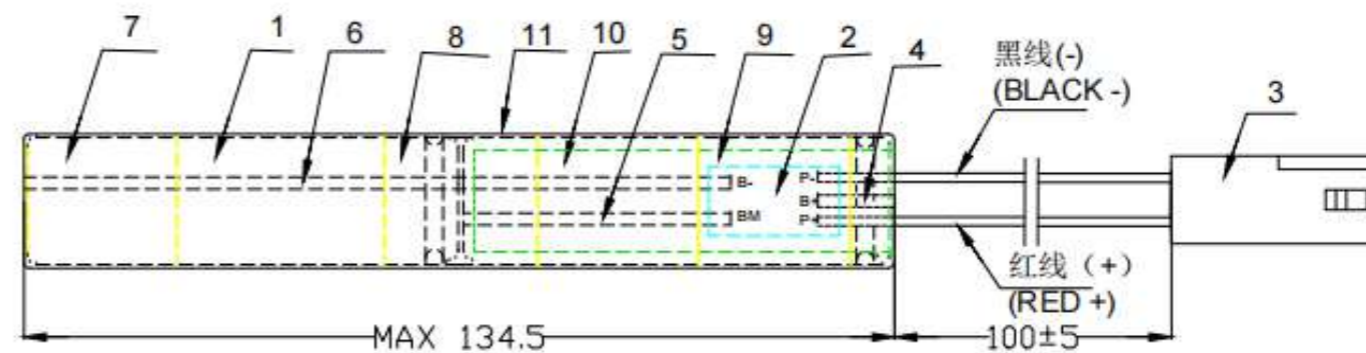
- Features:**
- Long Cycle Life
 - Good performance at high temperature-
 - High charge and discharge efficiency
 - High cost-effective
 - Good safety

Cell Certificate:
IEC 62133-2:2017
IEC 62620: 2014

- 注(NOTE) :**
- 1、红线=120mm,黑线=120mm;
线规: UL1007 AWG 18#;
Red wire=120mm,Black wire= 120mm;
Wire Model:UL 1007 AWG 18#;
 - 2、与保护板相连的连接片需套黑色热缩管;
The Connect Tab with the Cell Protecting Board should be wrapped by heat-shrinking insulating tube;

| | | | | | | | |
|-------------|--|------------------------------------|-------------|---|--|-------------------|---------------|
| 13 | 绝缘垫 (Insulating Pad) | Ø17*0.2 | 2 | 青稞纸 (Barley Paper0 | 广州高胜电子科技有限公司 GODSON TECHNOLOGY CO., LTD | | |
| 12 | 面圈 (Insulating Pad) | Ø17*0.2 | 2 | 白色不干胶 (White Adhesive Sticker) | | | |
| 11 | PVC外套 (Shrink Sleeve) | 140*33*0.1 | 2 | 白色 (White) | | | |
| 10 | 绝缘纸 (Insulating Paper) | 67*10*0.2 | 1 | 青稞纸 (Barley Paper0 | | | |
| 9 | 高温绝缘胶纸 (High Temperature Insulating Adhesive Paper) | 50*20*0.05 | 1 | 茶色 (Dark Brown) | | | |
| 8 | | 55*30*0.05 | 1 | | | | |
| 7 | | 25*20*0.05 | 1 | | | | |
| 6 | 连接片 (Connect Tab) | 103*3*0.1 | 1 | 镍片, 套热缩管 (Nickle Tab with Heat Shrink Tube) | | | |
| 5 | | 55*3*0.1 | 1 | | | | |
| 4 | | 27*3*0.1 | 1 | | | | |
| 3 | 插头 (Connector) | 5500-2P | 1 | | 绘制 (DREW) | | |
| 2 | 电池保护板 (Cell protection board) | 1808-XLCD-D010-A (36*9.5*0.8mm) | 1 | R5460N213AD+2个 8205(B+VB-IBM加钢片) | 审核 (CHECK) | | |
| 1 | 单体电池 (Cell) | 18650-1600mAh | 2 | LiFePO4 | 批准 (APPROVED) | | |
| 序号 (NO.) | 材料名称 (Name) | 规格 (Size) | 数量 (Qty) | 备注 (Note) | 文件编号: (DOC NO.) | 修改号: (MOD NO.) | 页码: (Page) |

Dimensions



Cycle Life:
2000 times

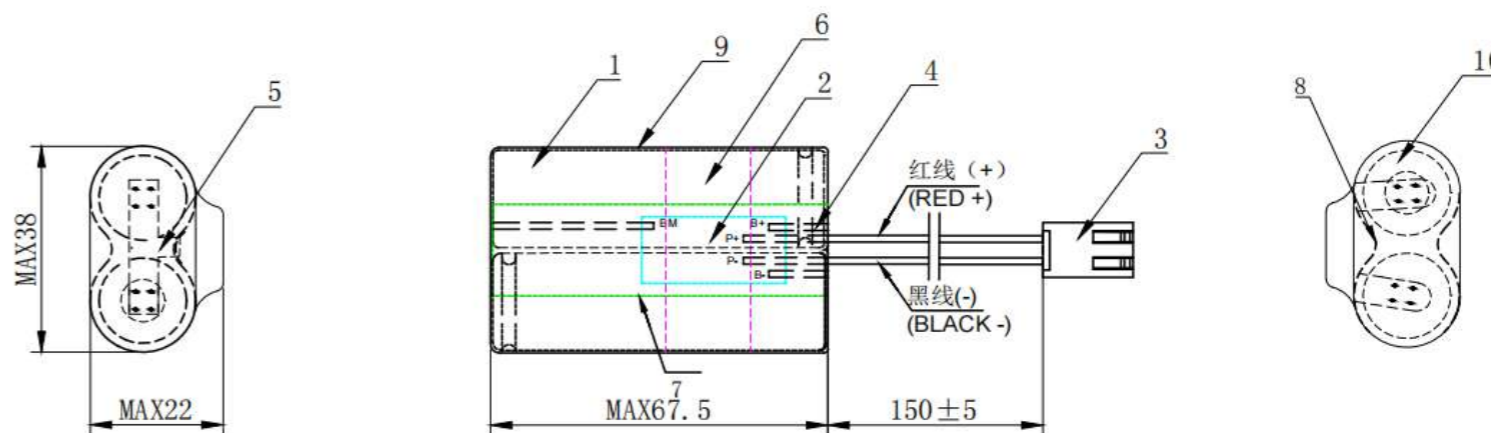
LiFePO4

LiFePO4 2x18650 1800mAh 6.4V



| | | | | | |
|-------------|--|---|-------------|-----------------------------|--|
| 10 | 面圈 (Insulating Pad) | Ø17*0.2 | 2 | 青稞纸 (Barley Paper0) | |
| 9 | PVC外套 (Shrink Sleeve) | 75*50*0.1 | 1 | 蓝色 (Blue) | |
| 8 | 绝缘纸 (Insulating Paper) | Ø17.5*0.25二连介子 | 2 | 青稞纸 (Barley Paper0) | |
| 7 | 绝缘纸 (Insulating Paper) | 67*20*0.25 | 1 | 青稞纸 (Barley Paper0) | |
| 6 | 高温绝缘胶纸 (High Temperature Insulating Adhesive Paper) | 65*20*0.05 | 1 | 茶色 (Dark Brown) | 广州高胜电子科技有限公司 GODSON TECHNOLOGY CO., LTD |
| 5 | 连接片 (Connect Tab) | 25*4*19*3 | 1 | T型镍片 | 6.4V-18650-1800mAh-VH 正向插头排型组合图 (6.4V-18650-1800mAh-VH FORWARD CONNECTOR ARRAY TYPE) |
| 4 | | 35*3*0.1 | 2 | B+ B- | |
| 3 | 插头 (Connector) | JST-VH-2P | 1 | 正向插头 (Forward Connector) | 绘制 (DREW) 方伟 2022.03.25 |
| 2 | 电池保护板 (Cell protection board) | KH-SSL-D010-B (R5460N213AD+2 个8205) | 1 | B+ B-\BM加钢片 | 审核 (CHECK) |
| 1 | 单体电池 (Cell) | 3.2V-18650-1800mAh | 2 | LiFePO4 | 批准 (APPROVED) |
| 序号 (NO.) | 材料名称 (Name) | 规格 (Size) | 数量 (Qty) | 备注 (Note) | 文件编号: (DOC NO.) |
| | | | | | 修改号: (MOD NO.) |
| | | | | | 页码: (Page) |

Dimensions



Features:

- Long Cycle Life
- Good performance at high temperature-
- High charge and discharge efficiency
- High cost-effective
- Good safety

Cell Certificate:

IEC 62133-2:2017

注(NOTE) :

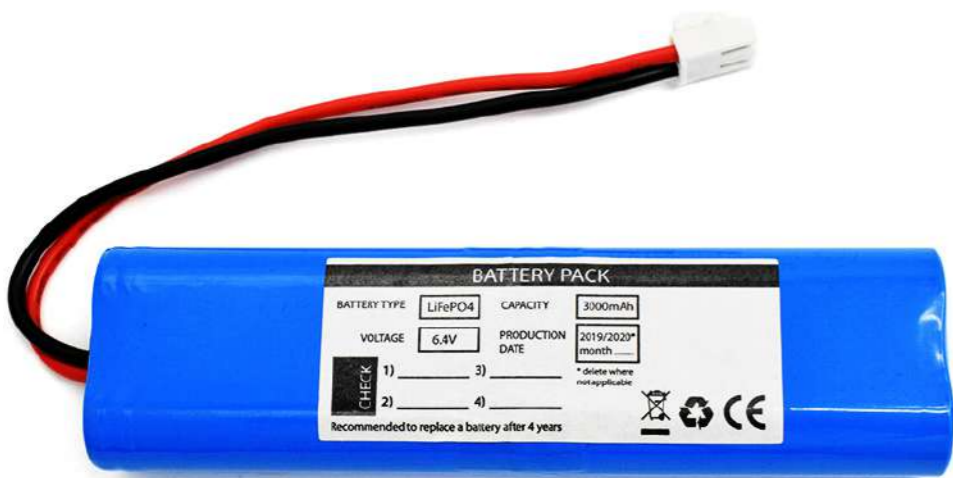
- 1、红线=170mm,黑线=170mm;
线规: UL1015 AWG 18#;
Red wire=170mm,Black wire=170mm;
Wire Model:UL 1015 AWG 18#;
- 2、与保护板连接的引线, 两端各剥线上锡2.5mm;
Tin 2.5mm on stripping wire at each end of outlet
which connected with the Cell ProtectingBoard;
- 3、单位: mm
Unit:mm



Cycle Life:
2000 times

LiFePO4

LiFePO4 4x18650 3000mAh 6.4V



| | | | | | |
|-------------|--|--|-------------|-----------------------------|--|
| 15 | 面圈 (Insulating Pad) | ? 17*0.2 | 4 | 青裸纸 (Barley Paper0) | |
| 14 | PVC外套 (Shrink Sleeve) | 140*50*0.1 | 1 | 蓝色 (Blue) | |
| 13 | 绝缘纸 (Insulating Paper) | ? 17.5*0.25二连介子 | 2 | 青裸纸 (Barley Paper0) | |
| 12 | 绝缘纸 (Insulating Paper) | 67*30*0.25 | 1 | 青裸纸 (Barley Paper0) | |
| 11 | 高温绝缘胶纸 (High Temperature Insulating Adhesive Paper) | 65*20*0.05 | 1 | 茶色 (Dark Brown) | |
| 10 | | 35*20*0.05 | 1 | | |
| 9 | | 110*20*0.05 | 1 | | |
| 8 | 连接片 (Connect Tab) | 25*4*0.1 | 2 | | 广州高胜电子科技有限公司 GODSON TECHNOLOGY CO., LTD |
| 7 | | 70*4*0.1 | 1 | BM | |
| 6 | | 65*4*0.1 | 1 | | |
| 5 | | 103*4*0.1 | 1 | B- | |
| 4 | | 27*4*0.1 | 1 | B+ | |
| 3 | 插头 (Connector) | JST-VHR-2P | 1 | 正向插头 (Forward Connector) | 6.4V 18650-3000mAh双柱型组合图-正向插头 (6.4V 18650-3000mAh STICK TYPE-Forward connector) |
| 2 | 电池保护板 (Cell protection board) | 1808-XLCD-D010-A (R5460N213AD+3个 8205) | 1 | B+ B-BM加钢片 | 绘制 (DREW) 审核 (CHECK) 批准 (APPROVED) |
| 1 | 单体电池 (Cell) | 18650-1500mAh | 4 | LiFePO4 | 文件编号: (DOC NO.) 修改号: (MOD NO.) |
| 序号 (NO.) | 材料名称 (Name) | 规格 (Size) | 数量 (Qty) | 备注 (Note) | 页码: (Page) |

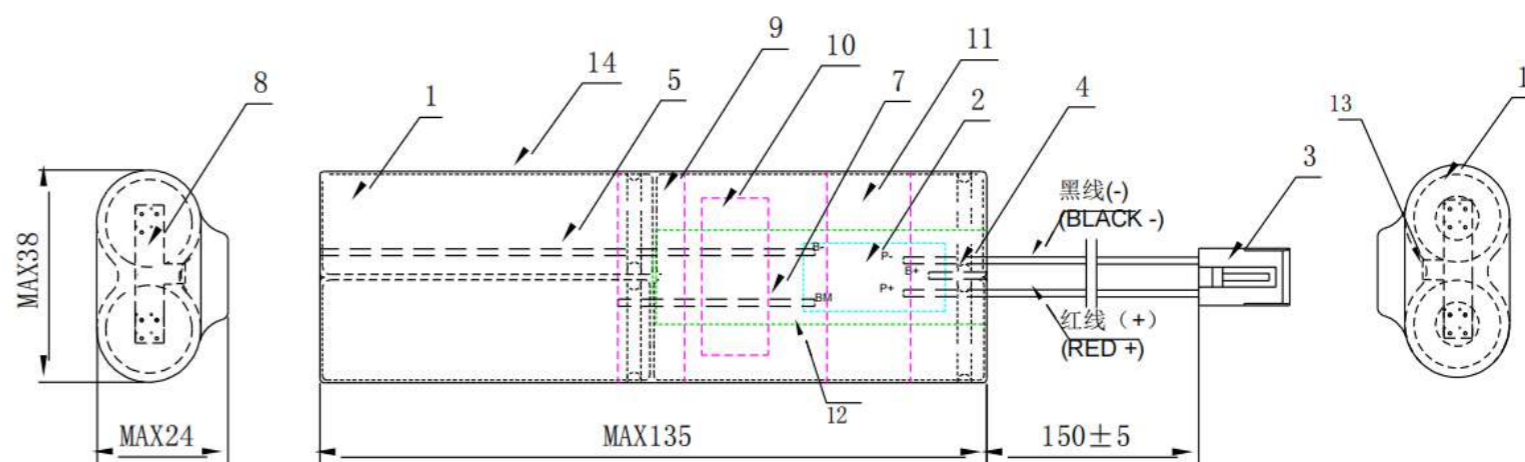
- Features:**
- Long Cycle Life
 - Good performance at high temperature-
 - High charge and discharge efficiency
 - High cost-effective
 - Good safety

Cell Certificate:
IEC 62133-2:2017

注(NOTE) :

- 1、红线=170mm,黑线=170mm;
线规: UL1015 AWG 18#;
Red wire=170mm,Black wire=170mm;
Wire Model:UL 1015 AWG 18#;
- 2、与保护板连接的引线,两端各剥线上锡2.5mm;
Tin 2.5mm on stripping wire at each end of outlet
which connected with the Cell ProtectingBoard;
- 3、单位: mm
Unit:mm

Dimensions



Cycle Life:
2000 times

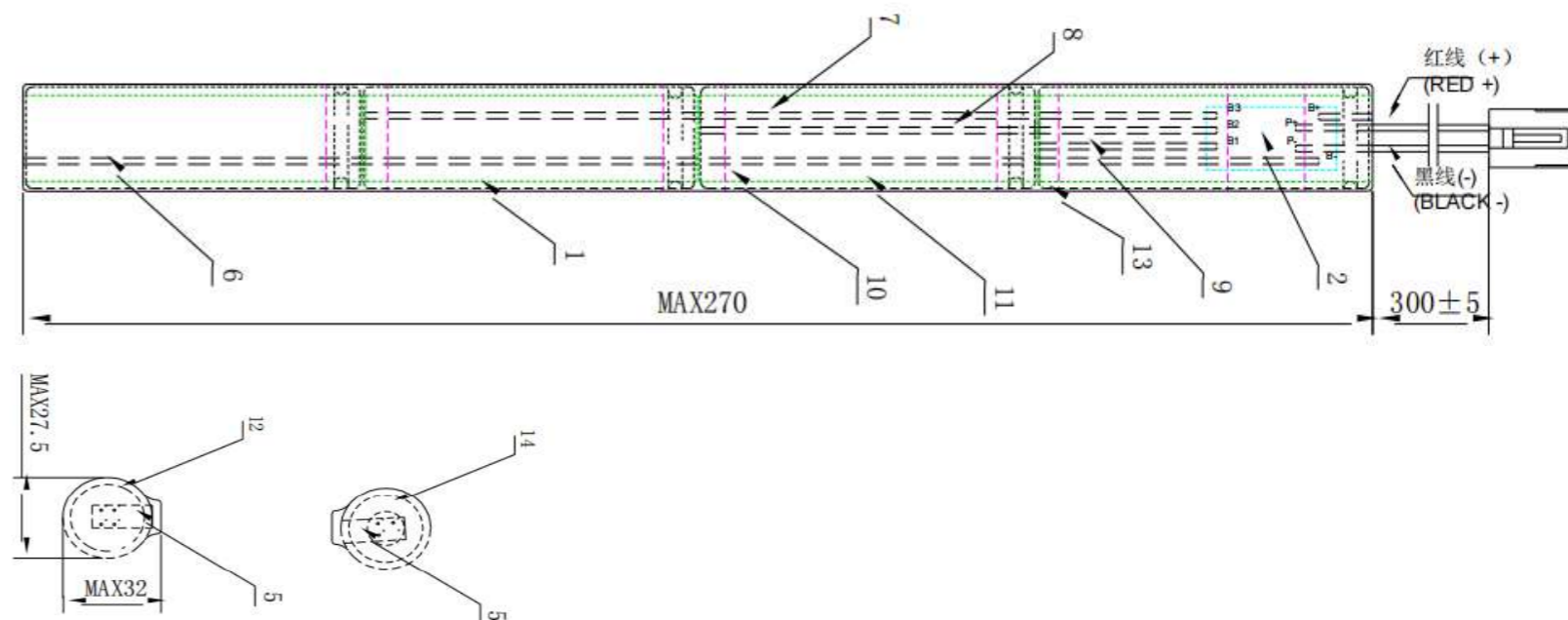
LiFePO4

LiFePO4 4x26650 3000mAh 12.8V



| | | | | | | |
|-------------|--|--|-------------|------------------------------|--|---------------|
| 14 | 围圈 (Insulating Pad) | ? 25.5*0.2 | 4 | 青襟纸 (Barley Paper0) | | |
| 13 | PVC外套 (Shrink Sleeve) | 273*48*0.1 | 1 | 蓝色 (Blue) | | |
| 12 | 绝缘纸 (Insulating Paper) | ? 26*0.25介子 | 2 | 青襟纸 (Barley Paper0) | | |
| 11 | 绝缘纸 (Insulating Paper) | 67*20*0.25 | 4 | 青襟纸 (Barley Paper0) | | |
| 10 | 高温绝缘胶纸 (High Temperature Insulating Adhesive Paper) | 110*30*0.05 | 4 | 茶色 (Dark Brown) | | |
| 9 | 引线 (wire) | 1007 22# 20mm | 1 | 红色(Red) B1 | 广州高胜电子科技有限公司 GODSON TECHNOLOGY CO., LTD | |
| 8 | | 1007 22# 90mm | 1 | 红色(Red) B2 | | |
| 7 | | 1007 22# 155mm | 1 | 红色(Red) B3 | | |
| 6 | | 3135 16# 265mm | 1 | 黑色(Red) B- | | |
| 5 | 连接片 (Connect Tab) | 25*5*0.1 | 2 | B+\B- | 12.8V 26650-3000mAh柱型组合图-反向插头 (12.8V 26650-3000mAh STICK TYPE-Reversed connector) | |
| 4 | | 60*5*0.1 | 3 | | | |
| 3 | 插头 (Connector) | JST-VHR-2P | 1 | 反向插头 (Reversed Connector) | 绘制 (DREW) | |
| 2 | 电池保护板 (Cell protection board) | 6215-4S(S8254ABA+2个AO4407+R015) 62*15*2mm | 1 | B+\B-加钢片 | 审核 (CHECK) | |
| 1 | 单体电池 (Cell) | 26650-3000mAh | 4 | LiFePO4 | 批准 (APPROVED) | |
| 序号 (NO.) | 材料名称 (Name) | 规格 (Size) | 数量 (Qty) | 备注 (Note) | 文件编号: (DOC NO.) | 页码: (Page) |

Dimensions



Features:

- Long Cycle Life
- Good performance at high temperature-
- High charge and discharge efficiency
- High cost-effective
- Good safety

Cell Certificate:

IEC 62133-2:2017

注(NOTE):

- 1、红线=315mm,黑线=315mm;
线规: UL1015 AWG 18#;
Red wire=315mm,Black wire=315mm;
Wire Model:UL 1015 AWG 18#;
- 2、与保护板连接的引线, 两端各剥线上锡2.5mm;
Tin 2.5mm on stripping wire at each end of outlet which connected with the Cell ProtectingBoard;
- 3、单位: mm
Unit:mm



Cycle Life:
2000 times

LiFePO4

LiFePO4 4x32700 5000mAh 12.8V



LiFePO4 12.8V 50Ah
2022-10

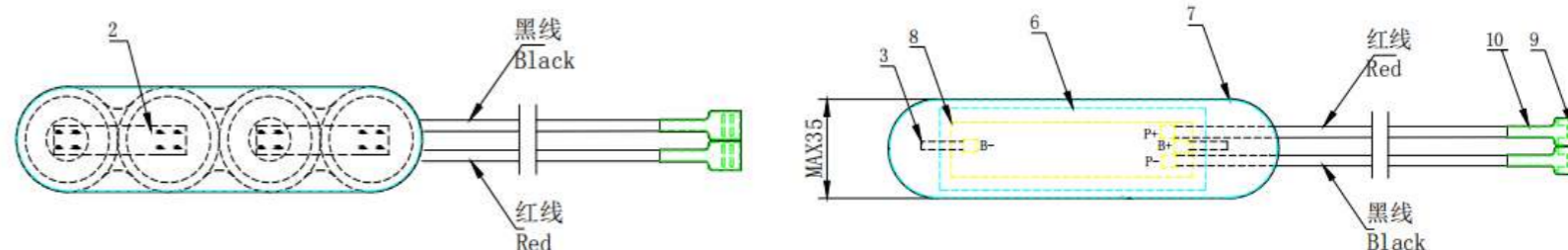
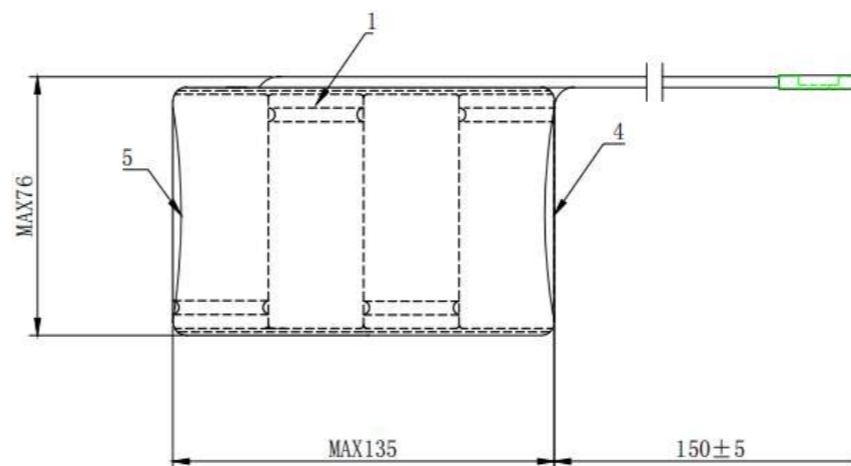
| | | | | | | | |
|-------------|---------------------------|---------------|-------------|----------------------------|--------------------|-------------------|---------------|
| 10 | 绝缘管 (Insulating Tube) | Ø7*25 | 2 | | | | |
| 9 | 插头 (Connector) | 250插头 | 1 | 直型端子 | | | |
| 8 | 保护板 (PCM) | | 1 | | | | |
| 7 | 绝缘垫 (Insulating Pad) | | 2 | 青稞纸 (Barley Paper) | | | |
| 6 | 绝缘垫 (Insulating Pad) | | 1 | 青稞纸 (Barley Paper) | | | |
| 5 | 组合PVC套 (Shrink Sleeve) | 140X108X0.1 | 1 | 蓝色 (Blue) | | | |
| 4 | 单体PVC套 (Shrink Sleeve) | 76X52X0.1 | 4 | 蓝色 (Blue) | | | |
| 3 | 连接片 (Connect Tab) | 15X4X0.10 | 2 | 镀镍片 (Nickle Plated Tab) | | | |
| 2 | 连接片 (Connect Tab) | 40X6X0.10 | 3 | 镀镍片 (Nickle Plated Tab) | | | |
| 1 | 单体电池 (Cell) | 32700-5000mAh | 4 | LiFePO4 | | | |
| 序号 (NO.) | 材料名称 (Name) | 规格 (Size) | 数量 (Qty) | 备注 (Note) | 文件编号: (DOC NO.) | 修改号: (MOD NO.) | 页码: (Page) |
| | | | | | | 0 | |

广州高胜电子科技有限公司
GODSON TECHNOLOGY CO., LTD

12.8V-32700-5000mAh-A-250 直型端子排型组合图
(12.8V-32700-5000mAh-A-250 Connector ROW TYPE)

绘制 (DREW) 方伟 2022.09.08
审核 (CHECK)
批准 (APPROVED)

Dimensions



Features:

- Long Cycle Life
- Good performance at high temperature-
- High charge and discharge efficiency
- High cost-effective
- Good safety

注(NOTE) :

- 1、红线=168mm,黑线=168mm;
线规: UL3135 AWG 20#;
Red wire=168mm,Black wire=168mm;
Wire Model:UL3135 AWG 20#;
- 2、单位: mm
Unit:mm



Cycle Life:
2000 times

LiFePO4

LiFePO4 2x14500 600mAh 6.4V



Features:

- Long Cycle Life
- Good performance at high temperature
- High charge and discharge efficiency
- High cost-effective
- Good safety

Cell Certificate:

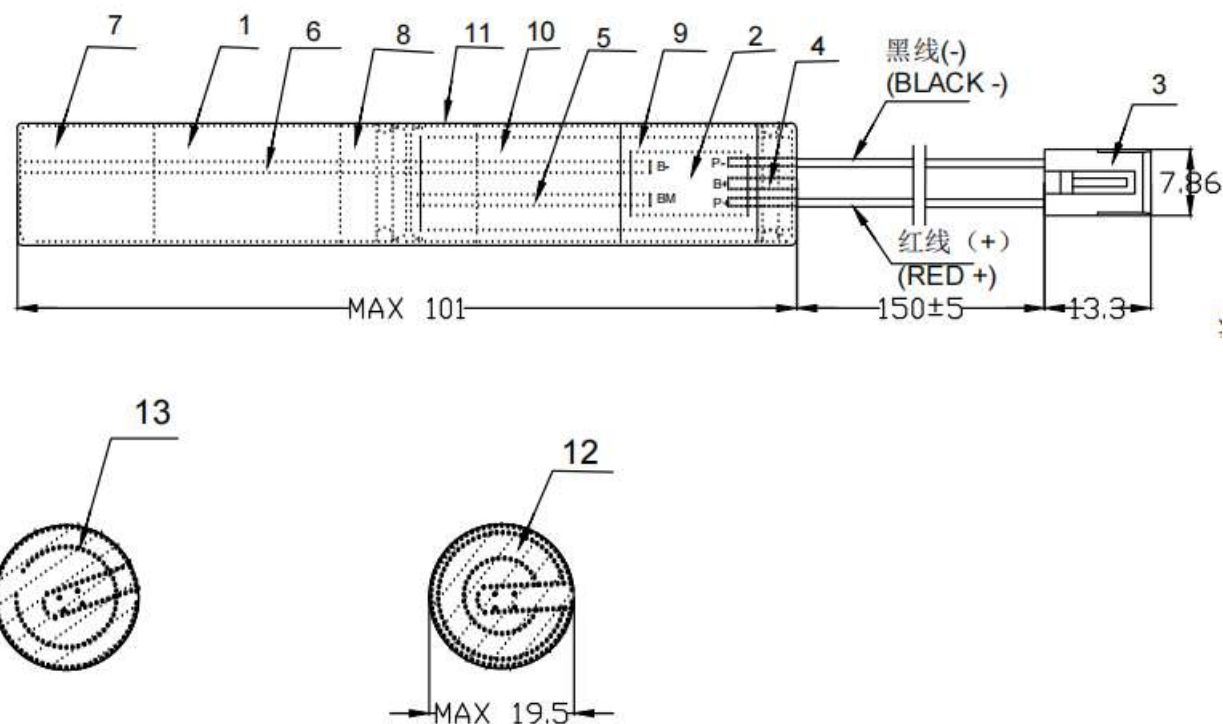
IEC 62133-2:2017

注(NOTE) :

- 1、红线=165mm, 黑线=165mm;
线规: UL1015 AWG 18#;
Red wire=165mm,Black wire=165mm;
Wire Model:UL 1015 AWG 18#;
- 2、与保护板相连的连接片需套黑色热缩管;
The Connect Tab with The Cell Protecting Board should be wrapped by heat-shrinking insulating tube;
- 3、单位: mm
Unit:mm

| | | | | | | | |
|-------------|--|---------------|-------------|--|---|-------------------|---------------|
| 13 | 绝缘垫 (Insulating Pad) | Ø13*0.2 | 2 | 青裸纸 (Barley Paper0) | 广州高胜电子科技有限公司 GODSON TECHNOLOGY CO., LTD 6.4V 14500-600mAh 条型组合图-正向插头 6.4V 14500-600mAh STICK TYPE -Forward Connector) | | |
| 12 | 面圈 (Insulating Pad) | Ø13*0.2 | 2 | 白色不干胶 (White Adhesive Sticker) | | | |
| 11 | PVC外套 (Shrink Sleeve) | 106*28*0.1 | 1 | 蓝色 (Blue) | | | |
| 10 | 绝缘纸 (Insulating Paper) | 50*10*0.2 | 1 | 青裸纸 (Barley Paper0) | | | |
| 9 | 高温绝缘胶纸 (High Temperature Insulating Adhesive Paper) | 50*20*0.05 | 1 | 茶色 (Dark Brown) | | | |
| 8 | | 55*20*0.05 | 1 | | | | |
| 7 | | 25*20*0.05 | 1 | | | | |
| 6 | 连接片 (Connect Tab) | 70*3*0.1 | 1 | 镍片, 套热缩管 (Nickle Tab with Heat Shrink Tube) | | | |
| 5 | | 38*3*0.1 | 1 | | | | |
| 4 | | 18*3*0.1 | 1 | | | | |
| 3 | 插头 (Connector) | JST-VH-2P | 1 | 正向插头 (Forward Connector) | | 绘制 (DREW) | |
| 2 | 电池保护板 (Cell protection board) | KH-SSL-D010-A | 1 | R5460N213AD+1个 B205(B+B-IBM加钢片) | | 审核 (CHECK) | |
| 1 | 单体电池 (Cell) | 14500-600mAh | 2 | LiFePO4 | | 批准 (APPROVED) | |
| 序号 (NO.) | 材料名称 (Name) | 规格 (Size) | 数量 (Qty) | 备注 (Note) | 文件编号: (DOC NO.) | 修改号: (MOD NO.) | 页码: (Page) |

Dimensions



Cycle Life:
2000 times

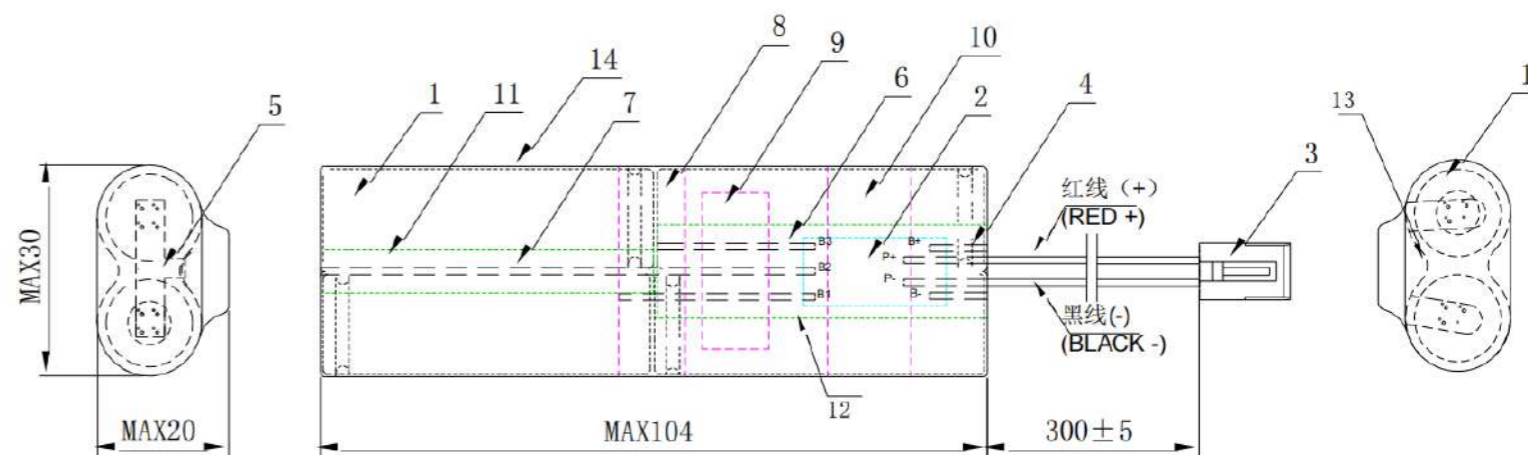
LiFePO4

LiFePO4 4x14500 600mAh 12.8V



| | | | | | | |
|-------------|--|--|-------------|------------------------------|--------------------|--|
| 15 | 面圈 (Insulating Pad) | ? 14*0.2 | 4 | 青稞纸 (Barley Paper0) | | |
| 14 | PVC外套 (Shrink Sleeve) | 110*50*0.1 | 1 | 蓝色 (Blue) | | |
| 13 | 绝缘纸 (Insulating Paper) | ? 14*0.25二连介子 | 2 | 青稞纸 (Barley Paper0) | | |
| 12 | 绝缘纸 (Insulating Paper) | 52*30*0.25 | 1 | 青稞纸 (Barley Paper0) | | |
| 11 | 绝缘纸 (Insulating Paper) | 52*10*0.25 | 1 | 青稞纸 (Barley Paper0) | | |
| 10 | 高温绝缘胶纸 (High Temperature Insulating Adhesive Paper) | 65*20*0.05 | 1 | 茶色 (Dark Brown) | | |
| 9 | | 35*20*0.05 | 1 | | | |
| 8 | | 110*20*0.05 | 1 | | | |
| 7 | 引线 (wire) | 1007 22# 35mm | 1 | 红色(Red) B1\B3 | | 广州高胜电子科技有限公司 GODSON TECHNOLOGY CO., LTD |
| 6 | 连接片 (Connect Tab) | 47*4*0.1 | 2 | B1\B3 | | |
| 5 | | 23*5\10*3 | 1 | T型镍片 | | 12.8V 14500-600mAh 柱型组合图-反向插头 (12.8V 14500-600mAh STICK TYPE-Reversed connector) |
| 4 | 19*4*0.1 | 2 | B+ B- | | | |
| 3 | 插头 (Connector) | JST-VHR-2P | 1 | 反向插头 (Reversed Connector) | 绘制 (DREW) | |
| 2 | 电池保护板 (Cell protection board) | 6215-4S(S8254ABA+2 个AO4407+R015) 62*15*2mm | 1 | B+ B-加钢片 | 审核 (CHECK) | |
| 1 | 单体电池 (Cell) | 14500-600mAh | 4 | LiFePO4 | 批准 (APPROVED) | |
| 序号 (NO.) | 材料名称 (Name) | 规格 (Size) | 数量 (Qty) | 备注 (Note) | 文件编号: (DOC NO.) | 修改号: (MOD NO.) |
| | | | | | | 页码: (Page) |

Dimensions



Features:

- Long Cycle Life
- Good performance at high temperature-
- High charge and discharge efficiency
- High cost-effective
- Good safety

Cell Certificate:

IEC 62133-2:2017

注(NOTE):

- 1、红线=315mm,黑线=315mm;
线规: UL1015 AWG 18#;
Red wire=315mm,Black wire=315mm;
Wire Model:UL 1015 AWG 18#;
- 2、与保护板连接的引线, 两端各剥线上锡2.5mm;
Tin 2.5mm on stripping wire at each end of outlet
which connected with the Cell ProtectingBoard;
- 3、单位: mm
Unit:mm



Cycle Life:
2000 times

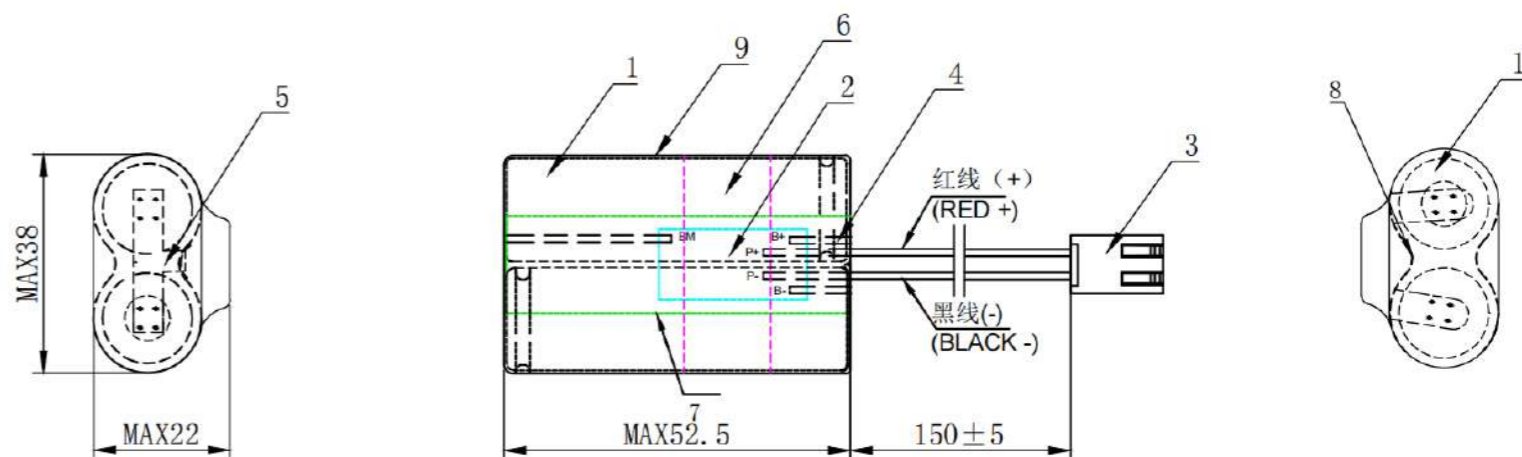
LiFePO4

LiFePO4 2x18500 1000mAh 6.4V



| | | | | | | | |
|-------------|--|---|-------------|-----------------------------|--|--|---------------|
| 10 | 面圈 (Insulating Pad) | Ø17*0.2 | 2 | 青稞纸 (Barley Paper0) | 广州高胜电子科技有限公司 GODSON TECHNOLOGY CO., LTD | | |
| 9 | PVC外套 (Shrink Sleeve) | 60*50*0.1 | 1 | 蓝色 (Blue) | | | |
| 8 | 绝缘纸 (Insulating Paper) | Ø17.5*0.25二连介子 | 2 | 青稞纸 (Barley Paper0) | | | |
| 7 | 绝缘纸 (Insulating Paper) | 52*20*0.25 | 1 | 青稞纸 (Barley Paper0) | | | |
| 6 | 高温绝缘胶纸 (High Temperature Insulating Adhesive Paper) | 65*20*0.05 | 1 | 茶色 (Dark Brown) | | | |
| 5 | 连接片 (Connect Tab) | 25*4\12*3 | 1 | T型镍片 | | 6.4V-18500-1000mAh-VH 正向插头排型组合图 (6.4V-18500-1000mAh-VH FORWARD CONNECTOR ARRAY TYPE) | |
| 4 | | 35*3*0.1 | 2 | B+\B- | | | |
| 3 | 插头 (Connector) | JST-VH-2P | 1 | 正向插头 (Forward Connector) | 绘制 (DREW) | 方伟 2022.03.25 | |
| 2 | 电池保护板 (Cell protection board) | KH-SSL-D010-B (R5460N213AD+1 个8205) | 1 | B+\B-\BM加钢片 | 审核 (CHECK) | | |
| 1 | 单体电池 (Cell) | 3.2V-18500-1000mAh | 2 | LiFePO4 | 批准 (APPROVED) | | |
| 序号 (NO.) | 材料名称 (Name) | 规格 (Size) | 数量 (Qty) | 备注 (Note) | 文件编号: (DOC NO.) | 修改号: (MOD NO.) | 页码: (Page) |

Dimensions



Features:

- Long Cycle Life
- Good performance at high temperature-
- High charge and discharge efficiency
- High cost-effective
- Good safety

Cell Certificate:

IEC 62133-2:2017

注(NOTE):

- 1、红线=170mm,黑线=170mm;
线规: UL1015 AWG 18#;
Red wire=170mm,Black wire=170mm;
Wire Model:UL 1015 AWG 18#;
- 2、与保护板连接的引线, 两端各剥线上锡2.5mm;
Tin 2.5mm on stripping wire at each end of outlet
which connected with the Cell ProtectingBoard;
- 3、单位: mm
Unit:mm



Cycle Life:
2000 times

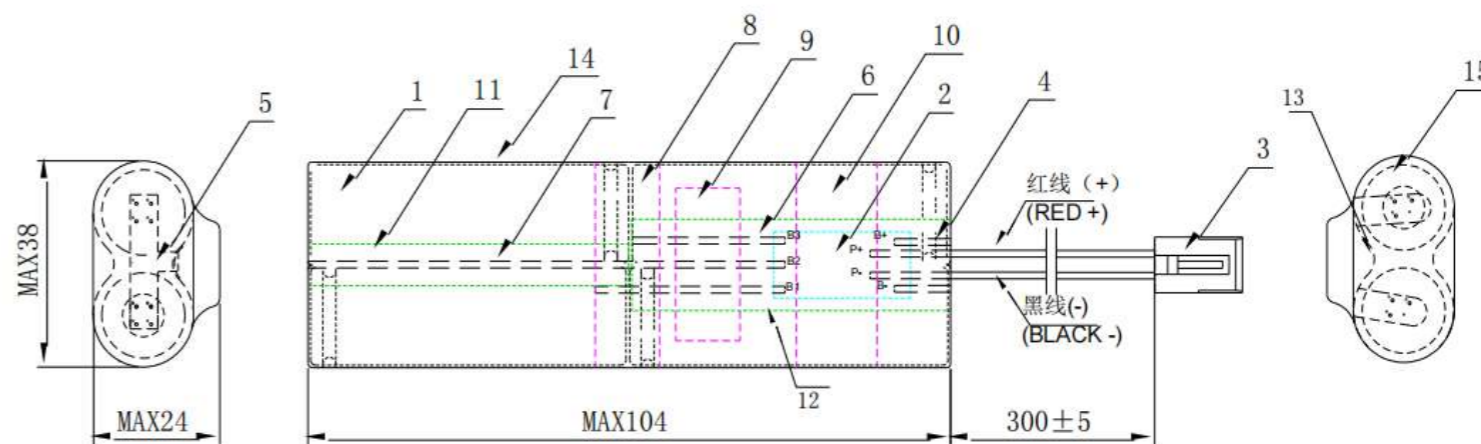
LiFePO4

LiFePO4 4x18500 1000mAh 12.8V



| | | | | | | | |
|-------------|--|--|-------------|------------------------------|--|---|---------------|
| 15 | 面圈 (Insulating Pad) | ? 17*0.2 | 4 | 青稞纸 (Barley Paper0 | 广州高胜电子科技有限公司 GODSON TECHNOLOGY CO., LTD | | |
| 14 | PVC外套 (Shrink Sleeve) | 140*50*0.1 | 1 | 蓝色 (Blue) | | | |
| 13 | 绝缘纸 (Insulating Paper) | ? 17.5*0.25二连介子 | 2 | 青稞纸 (Barley Paper0 | | | |
| 12 | 绝缘纸 (Insulating Paper) | 52*30*0.25 | 1 | 青稞纸 (Barley Paper0 | | | |
| 11 | 绝缘纸 (Insulating Paper) | 52*10*0.25 | 1 | 青稞纸 (Barley Paper0 | | | |
| 10 | 高温绝缘胶纸 (High Temperature Insulating Adhesive Paper) | 65*20*0.05 | 1 | 茶色 (Dark Brown) | | | |
| 9 | | 35*20*0.05 | 1 | | | | |
| 8 | | 110*20*0.05 | 1 | | | | |
| 7 | 引线 (wire) | 1007 22# 35mm | 1 | 红色(Red) B1\B3 | | 12.8V 18500-1000mAh柱型组合图-反向插头 (12.8V 18500-1000mAh STICK TYPE-Reversed connector) | |
| 6 | 连接片 (Conncted Tab) | 47*4*0.1 | 2 | B1\B3 | | | |
| 5 | | 25*6\19*4 | 1 | T型镍片 | | | |
| 4 | | 19*4*0.1 | 2 | B+\B- | | | |
| 3 | 插头 (Connector) | JST-VHR-2P | 1 | 反向插头 (Reversed Connector) | 绘制 (DREW) | | |
| 2 | 电池保护板 (Cell protection board) | 6215-4S(S8254ABA+2 个AO4407+R015) 62*15*2mm | 1 | B+\B-加钢片 | 审核 (CHECK) | | |
| 1 | 单体电池 (Cell) | 18500-1000mAh | 4 | LiFePO4 | 批准 (APPROVED) | | |
| 序号 (NO.) | 材料名称 (Name) | 规格 (Size) | 数量 (Qty) | 备注 (Note) | 文件编号: (DOC NO.) | 修改号: (MOD NO.) | 页码: (Page) |

Dimensions



Features:

- Long Cycle Life
- Good performance at high temperature-
- High charge and discharge efficiency
- High cost-effective
- Good safety

Cell Certificate:

IEC 62133-2:2017

注(NOTE) :

- 1、红线=315mm,黑线=315mm;
线规: UL1015 AWG 18#;
Red wire=315mm,Black wire=315mm;
Wire Model:UL 1015 AWG 18#;
- 2、与保护板连接的引线, 两端各剥线上锡2.5mm;
Tin 2.5mm on stripping wire at each end of outlet
which connected with the Cell ProtectingBoard;
- 3、单位: mm
Unit:mm



Cycle Life:
2000 times

LiFePO4

LiFePO4 2x18650 1600mAh 6.4V



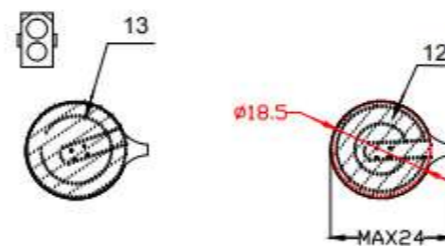
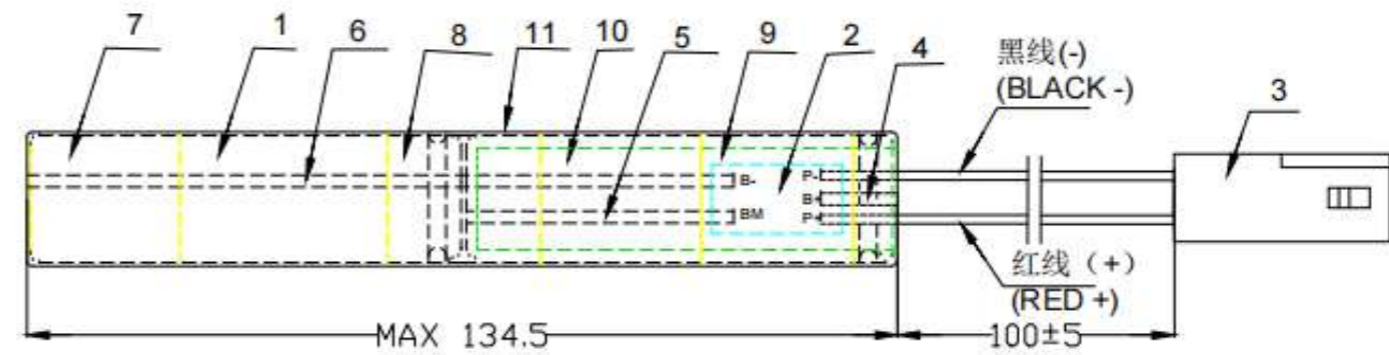
- Features:**
- Long Cycle Life
 - Good performance at high temperature-
 - High charge and discharge efficiency
 - High cost-effective
 - Good safety

Cell Certificate:
IEC 62133-2:2017
IEC 62620: 2014

- 注(NOTE) :**
- 1、红线=120mm,黑线=120mm;
线规: UL1007 AWG 18#;
Red wire=120mm,Black wire= 120mm;
Wire Model:UL 1007 AWG 18#;
 - 2、与保护板相连的连接片需套黑色热缩管;
The Connect Tab with the Cell Protecting Board should be wrapped by heat-shrinking insulating tube;

| | | | | | | | |
|-------------|--|------------------------------------|-------------|---|--|-------------------|---------------|
| 13 | 绝缘垫 (Insulating Pad) | Ø17*0.2 | 2 | 青裸纸 (Barley Paper0 | 广州高胜电子科技有限公司 GODSON TECHNOLOGY CO., LTD 6.4V 18650-1600mAh 条型组合图 (6.4V 18650-1600mAh STICK TYPE) | | |
| 12 | 面圈 (Insulating Pad) | Ø17*0.2 | 2 | 白色不干胶 (White Adhesive Sticker) | | | |
| 11 | PVC外套 (Shrink Sleeve) | 140*33*0.1 | 2 | 白色 (White) | | | |
| 10 | 绝缘纸 (Insulating Paper) | 67*10*0.2 | 1 | 青裸纸 (Barley Paper0 | | | |
| 9 | 高温绝缘胶纸 (High Temperature Insulating Adhesive Paper) | 50*20*0.05 | 1 | 茶色 (Dark Brown) | | | |
| 8 | | 55*30*0.05 | 1 | | | | |
| 7 | | 25*20*0.05 | 1 | | | | |
| 6 | 连接片 (Connect Tab) | 103*3*0.1 | 1 | 镍片, 套热缩管 (Nickle Tab with Heat Shrink Tube) | | | |
| 5 | | 55*3*0.1 | 1 | | | | |
| 4 | | 27*3*0.1 | 1 | | | | |
| 3 | 插头 (Connector) | 5500-2P | 1 | | | 绘制 (DREW) | |
| 2 | 电池保护板 (Cell protection board) | 1808-XLCD-D010-A (36*9.5*0.8mm) | 1 | R5460N213AD+2个 8205(B+VB-IBM加钢片) | | 审核 (CHECK) | |
| 1 | 单体电池 (Cell) | 18650-1600mAh | 2 | LiFePO4 | | 批准 (APPROVED) | |
| 序号 (NO.) | 材料名称 (Name) | 规格 (Size) | 数量 (Qty) | 备注 (Note) | 文件编号: (DOC NO.) | 修改号: (MOD NO.) | 页码: (Page) |

Dimensions



Cycle Life:
2000 times

LiFePO4