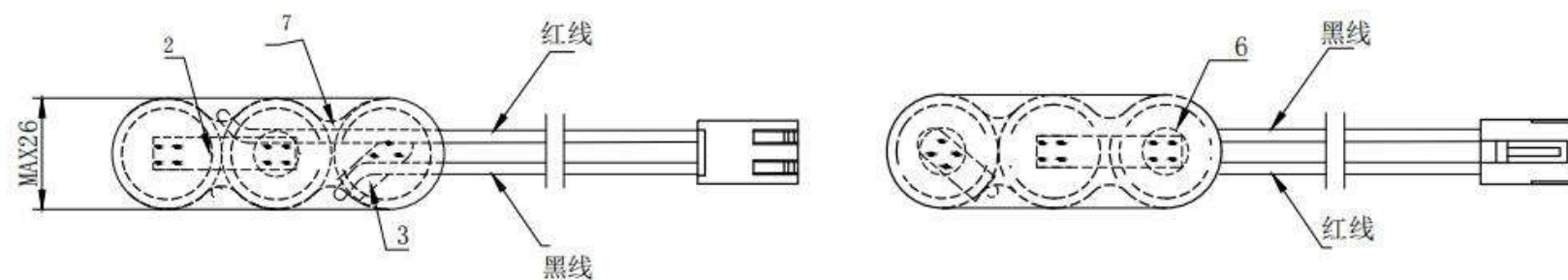
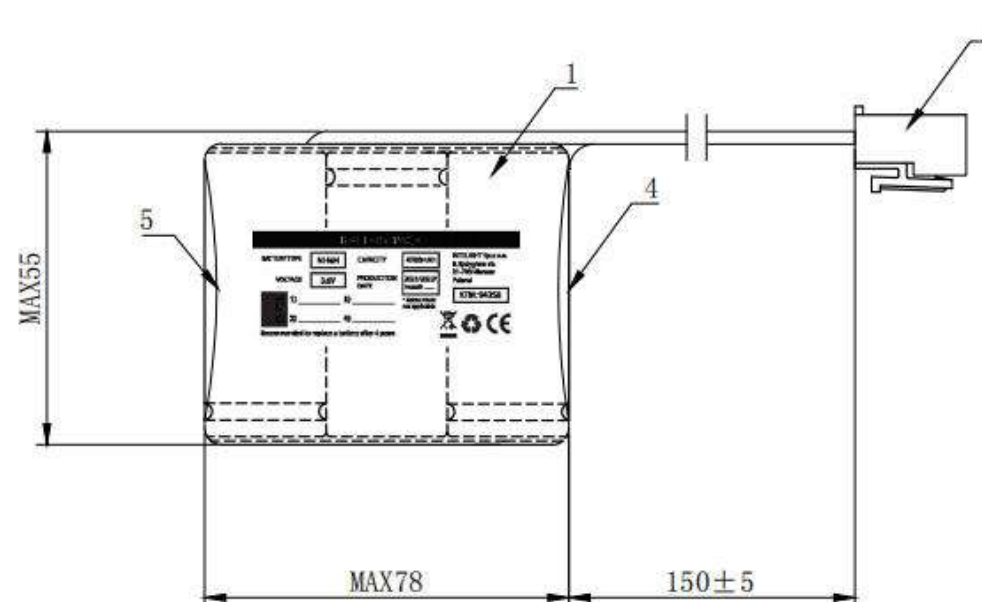


Ni-MH 3xC 4700mAh 3.6V



序号 (NO.)	材料名称 (Name)	规格 (Size)	数量 (Qty)	备注 (Note)	文件编号: (DOC NO.)	修改号: (MOD NO.)	页码: (Page)
8	插头 (Connector)	JST-VH-2P	1	正向插头 (Forward Connector)	广州高胜电子科技有限公司 GODSON TECHNOLOGY CO., LTD		
7	绝缘垫 (Insulating Pad)	C型三连介子	2	红岗纸 (Red Hard Paper)			
6	圆筒 (Insulating Pad)	C	3	白色不干胶 (White Adhesive Sticker)	3.6V C4700HT-A-VH正向插头排型组合图 (3.6V C4700HT-A-VH Forward Connector Row TYPE)		
5	组合PVC套 (Shrink Sleeve)	85X80X0.1	1	果绿色 (Green)			
4	单体PVC套 (Shrink Sleeve)	56X42X0.1	3	果绿色 (Green)	绘制 (DREW)		
3	引出片 (Lead Tab)	30X5X0.10	2	镀镍片 (Nickel Plated Tab)	审核 (CHECK)		
2	连接片 (Connect Tab)	30X5X0.10	2	镀镍片 (Nickel Plated Tab)	批准 (APPROVED)		
1	单体电池 (Cell)	C4700HT	3	Ni-MH (70℃)	文件编号: (DOC NO.)		

Dimensions



Features:

- Long service life
- High rate charging and discharging performance
- Wide temperature range
- Good storage performance
- High stability

注(NOTE):

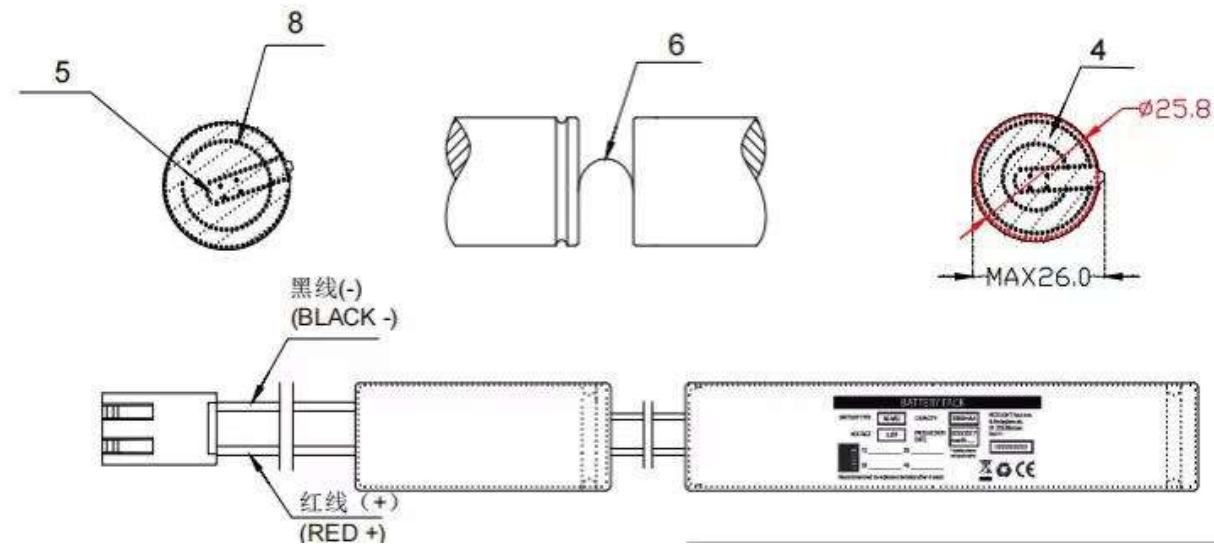
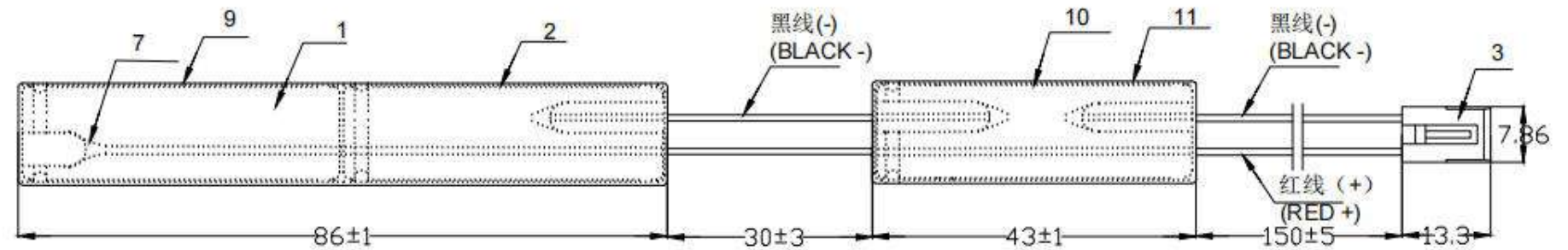
- 1、红线=242mm,黑线=186mm;
线规: UL1015 AWG 18#;
Red wire=242mm,Black wire=186mm;
Wire Model:UL 1015 AWG 18#;
- 2、引出片焊线处需套黑色热缩管;
After soldering the tab to the wire,the
tab should be wrapped by heat-shrinking
insulating tube;
- 3、单位: mm
Unit:mm

Ni-MH 3xSC 3000mAh 3.6V



11	PVC外套 (Shrink Sleeve)	50*38*0.1	1	绿色 (Green)	广州高胜电子科技有限公司 GODSON TECHNOLOGY CO., LTD	
10	单体PVC套 (Shrink Sleeve)	49*36*0.1	3	绿色 (Green)		
9	组合PVC套 (Shrink Sleeve)	95*38*0.1	1	绿色 (Green)		
8	绝缘垫 (Insulating Pad)	SC	4	红岗纸 (Red Hard Paper)		
7	热缩管 (Heat Shrink Tube)	Ø4*25	4	黑色 (Black)		
6	连接片 (Connect Tab)	25*5*0.1	1	镍镍片 Nickle Plated Tab	3.6V SC3000 条型组合图-正向插头 3.6V SC3000 STRIP TYPE-Forward Connector	
5	引出片 Lead Tab	25*5*0.1	4	镍镍片 Nickle Plated Tab		
4	面圈 (Insulating Pad)	SC	3	白色不干胶 (White Adhesive Sticker)	绘制 (DREW)	
3	插头 (Connector)	JST-VH-2P	1	正向插头 (Forward Connector)	审核 (CHECK)	
2	串联PVC套 (Shrink Sleeve)	94*36*0.1	1	绿色 (Green)	批准 (APPROVED)	
1	单体电池 (Cell)	SC3000HT	3	Ni-MH	文件编号: (DOC NO.)	
序号 (NO.)	材料名称 (Name)	规格 (Size)	数量 (Qty)	备注 (Note)	修改号: (MOD NO.)	页码: (Page)

Dimensions



Features:

- Long service life
- High rate charging and discharging performance
- Wide temperature range
- Good storage performance
- High stability

注(NOTE):

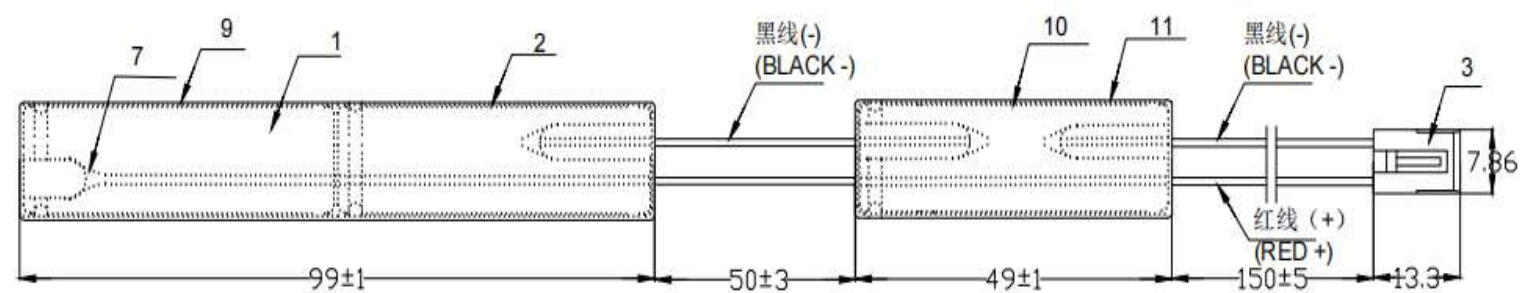
- 1、中间黑线=50mm,接插头黑线=160mm, 红线=299mm;
线规: UL1015 AWG 18#;
Intermediate Black wire=50mm,the Black wire with connector=160mm,Red wire=299mm;
Wire Model:UL 1015 AWG 18#;
- 2、引出片焊线处需套黑色热缩管;
After soldering the tab to the wire,the tab should be wrapped by heat-shrinking insulating tube;
- 3、单位: mm
Unit:mm

Ni-MH 3xC 4000mAh 3.6V



11	PVC外套 (Shrink Sleeve)	57*44*0.1	1	绿色 (Green)	广州高胜电子科技有限公司 GODSON TECHNOLOGY CO., LTD	
10	单体PVC套 (Shrink Sleeve)	56*42*0.1	3	绿色 (Green)		
9	组合PVC套 (Shrink Sleeve)	109*44*0.1	1	绿色 (Green)		
8	绝缘垫 (Insulating Pad)	C	4	红岗纸 (Red Hard Paper)		
7	热缩管 (Heat Shrink Tube)	Ø4*25	2	黑色 (Black)	3.6V C4000HT 条型组合图-正向插头 3.6V C4000HT STRIP TYPE-Forward Connector)	
6	连接片 (Connect Tab)	25*5*0.1	1	镀镍片 (Nickel Plated Tab)		
5	引出片 (Lead Tab)	30*5*0.1	4	镀镍片 (Nickel Plated Tab)	绘制 (DREW)	方伟 2022.03.25
4	面圈 (Insulating Pad)	C	3	白色不干胶 (White Adhesive Slicker)	审核 (CHECK)	
3	插头 (Connector)	JST-VH-2P	1	正向插头 (Forward Connector)	批准 (APPROVED)	
2	串联PVC套 (Shrink Sleeve)	108*42*0.1	1	绿色 (Green)	文件编号: (DOC NO.)	
1	单体电池 (Cell)	C4000HT	3	NI-MH (70℃)	修改号: (MOD NO.)	1
序号 (NO.)	材料名称 (Name)	规格 (Size)	数量 (Qty)	备注 (Note)		页码: (Page)

Dimensions



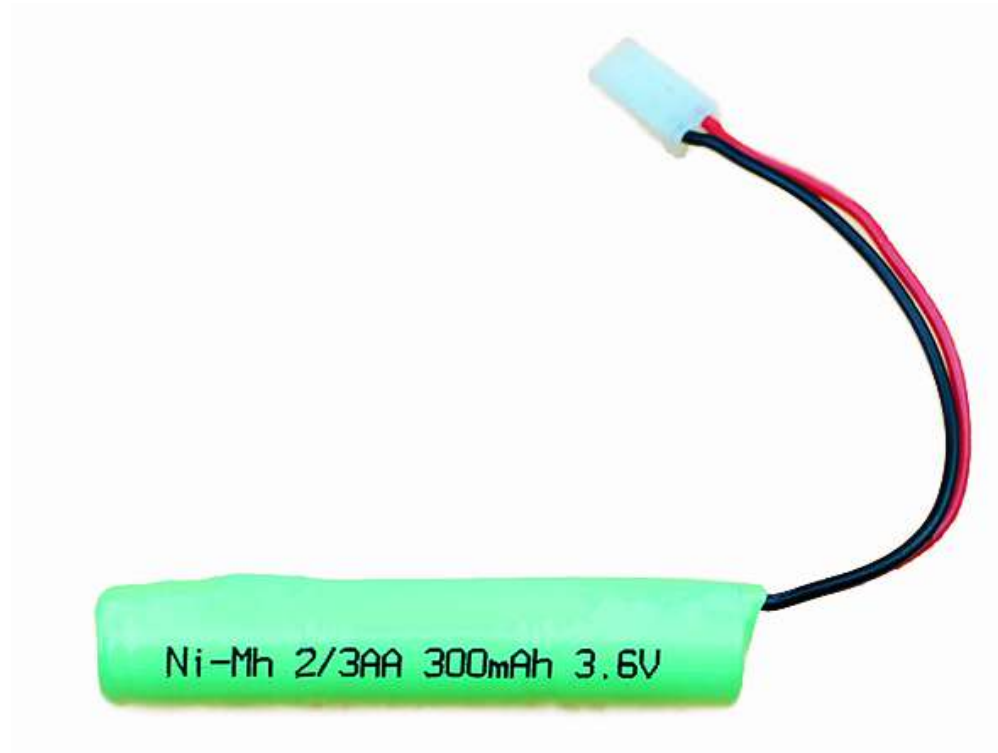
注(NOTE):

- 中间黑线=76mm,接插头黑线=163mm, 红线=345mm;
线规: UL1015 AWG 18#;
Intermediate Black wire=76mm,the Black wire with connector=163mm,Red wire=345mm;
Wire Model:UL 1015 AWG 18#;
- 引出片焊线处需套黑色热缩管;
After soldering the tab to the wire,the tab should be wrapped by heat-shrinking insulating tube;
- 单位: mm
Unit:mm

Features:

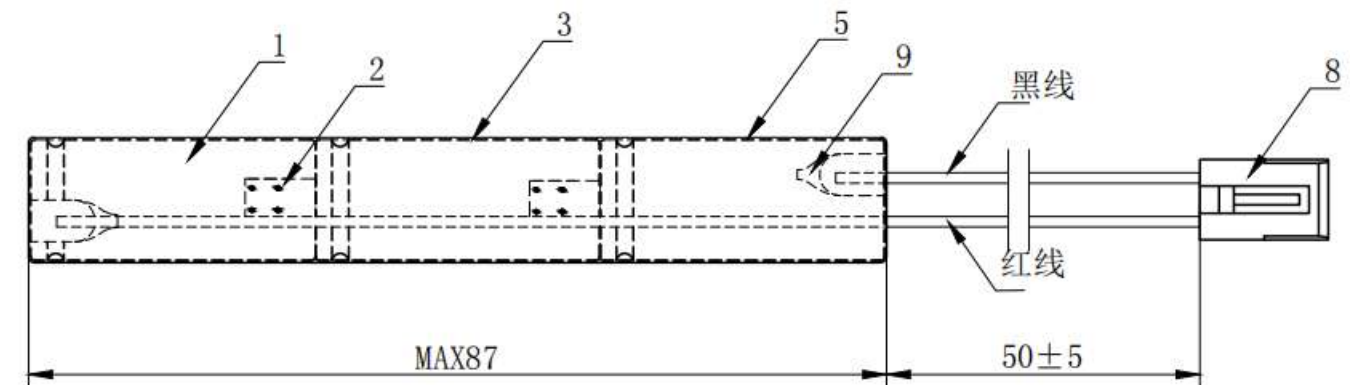
- Long service life
- High rate charging and discharging performance
- Wide temperature range
- Good storage performance
- High stability

Ni-MH 2/3AA 300mAh 3.6V



9	热缩管 (Heat Shrink Tube)	Ø3.5X25	2	黑色 (Black)	广州高胜电子科技有限公司 GODSON TECHNOLOGY CO., LTD	
8	插头 (Connector)	JST-VH-2P	1			
7	引出片 Lead Tab)	25X4X0.10	2	镀镍片 (Nickle Plated Tab)		
6	绝缘垫 (Insulating Pad)	AA	2	红岗纸 (Red Hard Paper0	3.6V AA300 柱型组合图 (3.6V AA300 STICK TYPE)	
5	组合PVC套 (Shrink Sleeve)	96X25X0.1	1	白色 (White)		
4	面圈 (Insulating Pad)	AA	3	白色不干胶 (White Adhesive Sticker)	绘制 (DREW)	
3	串联PVC套 (Shrink Sleeve)	95X24X0.1	1	白色 (White)	审核 (CHECK)	
2	连接片 (Connect Tab)	20X4X0.10	2	镀镍片 (Nickle Plated Tab)	批准 (APPROVED)	
1	单体电池 (Cell)	H29AA300	3	Ni-MH	文件编号: (DOC NO.)	
序号 (NO.)	材料名称 (Name)	规格 (Size)	数量 (Qty)	备注 (Note)	修改号: (MOD NO.)	页码: (Page)

Dimensions



Features:

- Long service life
- High rate charging and discharging performance
- Wide temperature range
- Good storage performance
- High stability

注(NOTE) :

- 1、红线=127mm,黑线=60mm;
线规: UL1007 AWG 18#;
Red wire=127mm,Black wire=60mm;
Wire Model:UL 1007 AWG 18#;
- 2、引出片焊线处需套黑色热缩管;
After soldering the tab to the wire,the
tab should be wrapped by heat-shrinking
insulating tube;
- 3、出货时配PCB插针;
Shipped with Pins for PCB ;
- 3、单位: mm
Unit:mm

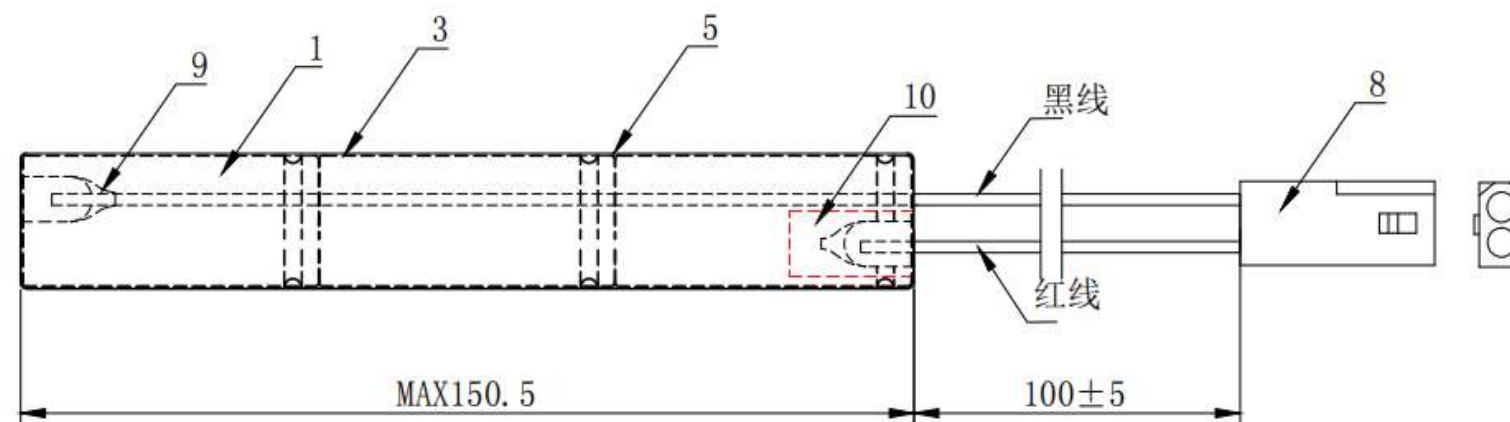
Ni-MH 3xAA 1500mAh 3.6V



3.6V, 1500mAh, AA Size, HT Ni-MH
Class U, Max Cont Case Temp 55°C
Red (+) Black (-)

10	牛皮纸 (Kraft paper)	10X20	1	黄色 (Yellow)	广州高胜电子科技有限公司 GODSON TECHNOLOGY CO., LTD	
9	热缩管 (Heat Shrink Tube)	Ø3.5X25	2	黑色 (Black)		
8	插头 (Connector)	5500-2P	1			
7	引出片 Lead Tab)	25X4X0.10	2	镀镍片 (Nickle Plated Tab)		
6	绝缘垫 (Insulating Pad)	AA	2	红岗纸 (Red Hard Paper0	3.6V AA1500柱型组合图 (3.6V AA1500 STICK TYPE)	
5	组合PVC套 (Shrink Sleeve)	155X25X0.1	1	白色 (White)		
4	面圈 (Insulating Pad)	AA	3	白色不干胶 (White Adhesive Sticker)	绘制 (DREW)	方伟 2022.03.23
3	串联PVC套 (Shrink Sleeve)	154X24X0.1	1	白色 (White)	审核 (CHECK)	
2	连接片 (Connect Tab)	15X4X0.10	2	镀镍片 (Nickle Plated Tab)	批准 (APPROVED)	
1	单体电池 (Cell)	AA1500	3	Ni-MH	文件编号: (DOC NO.)	
序号 (NO.)	材料名称 (Name)	规格 (Size)	数量 (Qty)	备注 (Note)	修改号: (MOD NO.)	页码: (Page)

Dimensions



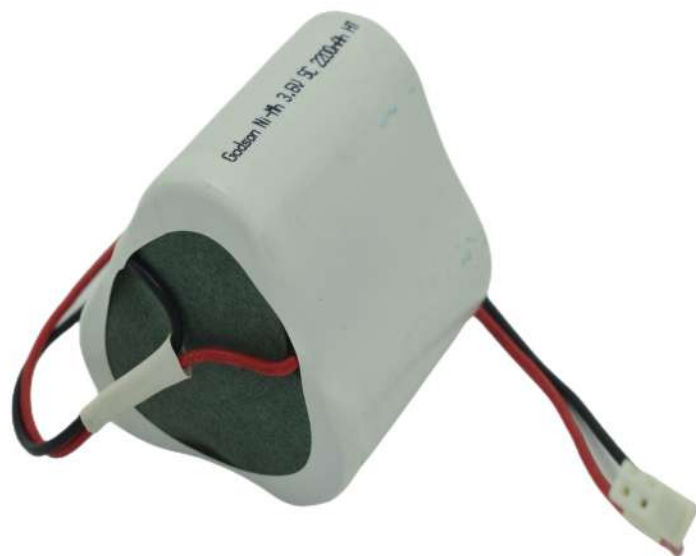
注(NOTE):

- 1、红线=110mm,黑线=240mm;
线规: UL1007 AWG 18#;
Red wire=110mm,Black wire=240mm;
Wire Model:UL 1007 AWG 18#;
- 2、引出片焊线处需套黑色热缩管;
After soldering the tab to the wire,the
tab should be wrapped by heat-shrinking
insulating tube;
- 3、出货时配公插(出线长度140mm, 线规同上)
**Shipped with Male Connector(the length
of lead-out wires is 140mm,and the wire
model is the same as above);**
- 3、单位: mm
Unit:mm

Features:

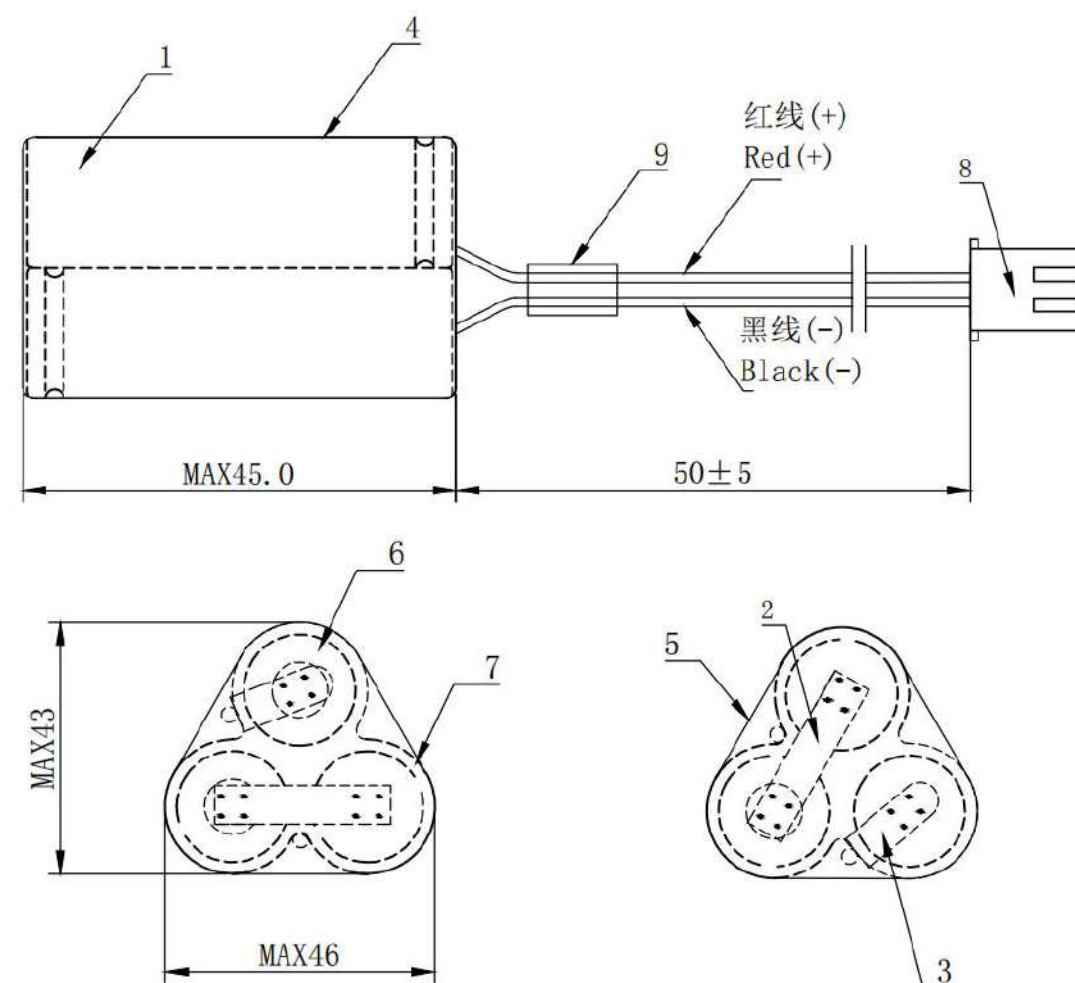
- Long service life
- High rate charging and discharging performance
- Wide temperature range
- Good storage performance
- High stability

Ni-MH 3xSC 2200mAh 3.6V



9	绝缘管 (Insulating tube)	3.0X12	1	白色 (White)	广州高胜电子科技有限公司 GODSON TECHNOLOGY CO., LTD	
8	插头 (Connector)	JST-XHP-2P	1	正向插头 (Forward Connector)		
7	绝缘垫 (Insulating gasket)	SC三角梅花介子	2	红岗纸 (Red Hard Paper)		
6	面圈 (Insulating Pad)	SC	3	白色不干胶 (White Adhesive Sticker)	3GS-SC2200HT-T组合图 (3GS-SC2200HT-T TYPE)	
5	组合PVC套 (Shrink Sleeve)	50X62X0.1	1	白色 (White)		
4	单体PVC套 (Shrink Sleeve)	49X36X0.1	3	白色 (White)	绘制 (DREW)	
3	引出片 Lead Tab	28X5X0.10	2	镀镍片 (Nickle Plated Tab)	审核 (CHECK)	
2	连接片 (Connect Tab)	25X5X0.10	2	镀镍片 (Nickle Plated Tab)	批准 (APPROVED)	
1	单体电池 (Cell)	SC2200HT	3	Ni-MH	文件编号: (DOC NO.)	
序号 (NO.)	材料名称 (Name)	规格 (Size)	数量 (Qty)	备注 (Note)	修改号: (MOD NO.)	页码: (Page)

Dimensions



注(NOTE) :

- 1、红线=90mm,黑线=68mm;
线规: UL1007 AWG 22#;
Red wire=90mm,Black wire=68mm;
Wire Model:UL 1007 AWG 22#;
- 2、引出片焊线处需套黑色热缩管;
After soldering the tab to the wire,the
tab should be wrapped by heat-shrinking
insulating tube;
- 3、单位: mm
Unit:mm

Features:

- Long service life
- High rate charging and discharging performance
- Wide temperature range
- Good storage performance
- High stability